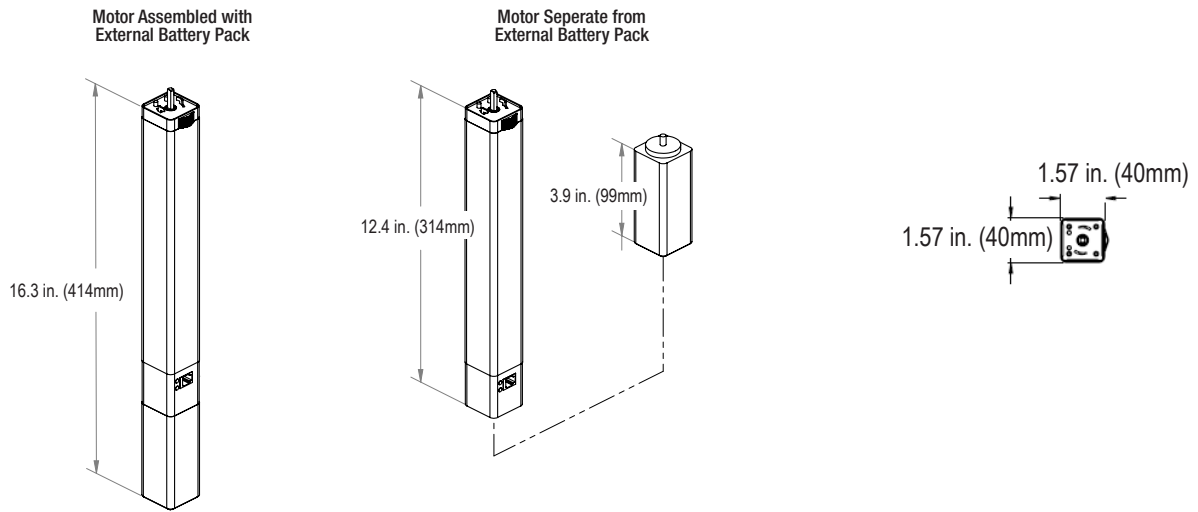


AMP Drapery-1.2/120

DC Battery Powered Motor for Drapery

Motor Part # 62001300 | Battery Charger Part # 62201300

dimensions



specifications

Model	AMPDrapery-1.2/120
Torque	1.2Nm
Speed	120rpm (adjustable to 80 or 100)
Motor Size (L x W x H)	410mm*40mm*40mm
Voltage	14.8V DC
Current	1A
Power	16W
IP Class	IP40
Insulation Grade	A

Battery Model / Type	External Battery Pack
Battery Capacity	2.55Ah
Working temp	32°F to 140°F (0°C to 60°C)
RF Modulation	FSK
Radio Frequency	433.92 MHz
Max Running Circles	12 Minutes
Limit Switch Type	Electronic
Sound Level	46dB
Net Weight	3.52Lbs

features & applications



bi-directional



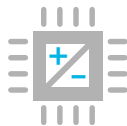
power source - DC



soft start & stop



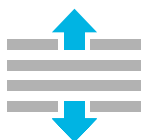
app compatible



electronic limit



low noise



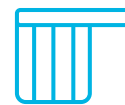
leveling control



favorite position



adjustable RPM



drapery one way left stack



drapery one way right stack



drapery two way split stack

AMP Drapery-1.2/120

DC Battery Powered Motor for Drapery

Motor Part # 62001300 | Battery Charger Part # 62201300

Kirsch® Estate™ Track Performance with AMP™

DRAW	MINIMUM TRACK LENGTH	MAXIMUM TRACK LENGTH	MAXIMUM FABRIC WEIGHT	MAXIMUM LBS PER FOOT
One-Way	18 in.	16 ft.	64 lbs	4 lbs
Two-Way	18 in.	16 ft.	64 lbs	4 lbs

Kirsch® Architrac® Track Performance with AMP™

DRAW	MINIMUM TRACK LENGTH	MAXIMUM TRACK LENGTH	MAXIMUM FABRIC WEIGHT	MAXIMUM LBS PER FOOT
One-Way	18 in.	16 ft.	64 lbs	4 lbs
Two-Way	18 in.	16 ft.	64 lbs	4 lbs

