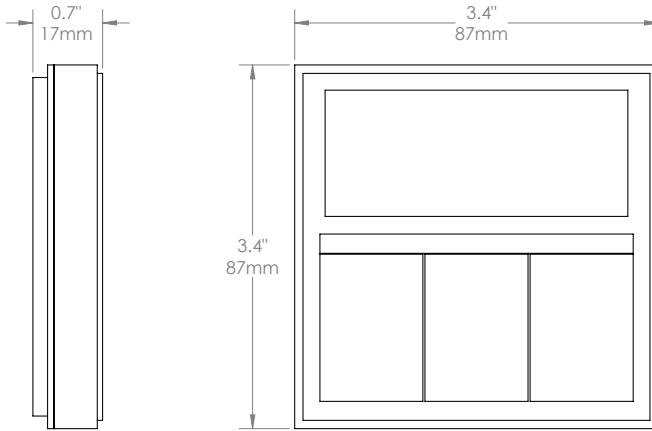


AMP™ WALL SWITCH

RF 2W 15 Channel Surface Mounted Wall Switch
Part # 62109000

dimensions

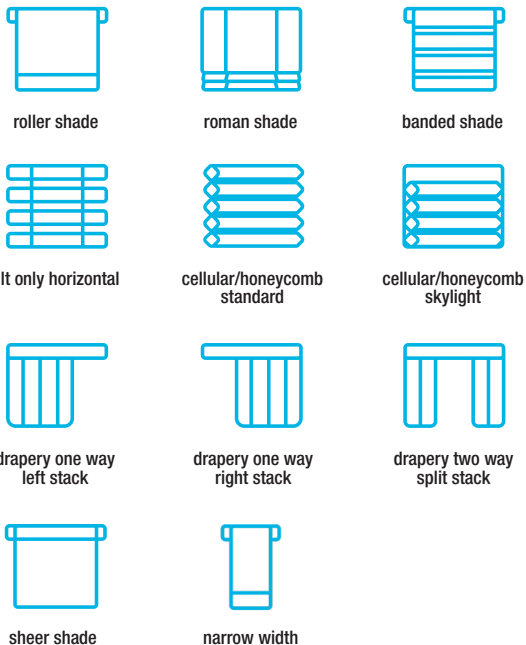


specifications

Voltage	3V (CR2430)
Radio Frequency	433.92 MHz Bi-directional
Transmitting Power	10 milliwatt
Operating Temperature	14°F to 122°F (-10°C to 50°C)

RF Modulation	FSK
Lock Function	Yes
IP Rating	IP20
Transmission Distance	up to 35m indoor; up to 200m outdoor

applications & features and benefits



- Up to 15 channels with 3V (CR2430) battery, magnetic holder included
- Channel 0 controls all shades assigned to wall switch; ability to hide extra channels
- Favorite position activated by quick touch of a button
- Locking feature prevent unwanted configuration changes