

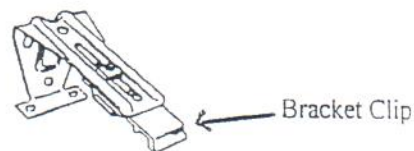


1 3/8" 3"

Installation for 2 1/4" Select Traverse Rods

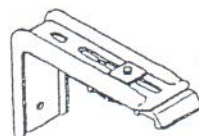
- Use wall anchors if unable to install in wall studs
- Mount end brackets at each end of the rod. The end brackets have a hook hole to pin drapery return to the wall.

End Bracket

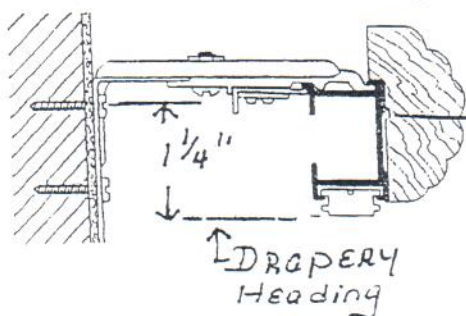


- Install included support brackets spaced evenly across width of rod.

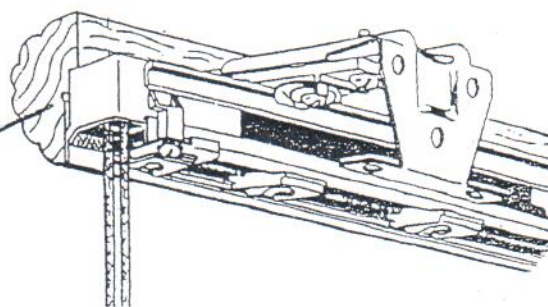
Support Bracket



- Adjust brackets to desired projection. To adjust loosen back screw of bracket clip to allow clip to slide forward or back. Tighten at desired position. All brackets should be at same projection.
- Attach finials to ends of rod by screwing finial screw into notched hole of wood fascia between fascia and track.
- Attach rod to brackets by inserting front of bracket clip under the top front lip of track. Rotate cam locks clockwise and tighten over the back edge of track to secure using a slotted or square drive screwdriver.



Location for finial attachment



- Install cord tension pulley.