



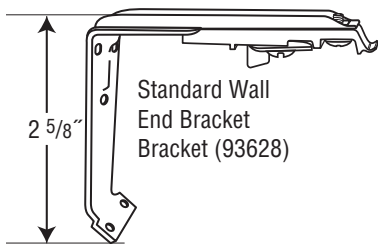
Select Wood Traverse Rods with Rings - 1³/₈" and 2¹/₄" Installation Instructions

Bracket Options

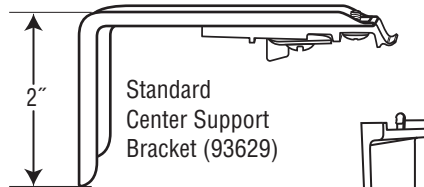
The appropriate number and type of brackets will be included based on rod length and design choice.

Fasteners are not included. Proper fasteners, screws and mounting hardware must be determined by the installer based on mounting surface material.

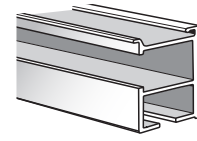
Standard Wall End Bracket - 96328



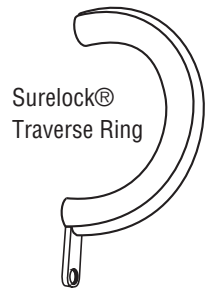
Standard Center Support Bracket - 96329



96399
Support Cover



Select® Track



Surelock®
Traverse Ring

92915

Select® 1-3/8" 4-Wheeled Carrier



92823

Select® 2-1/4" 4-Wheeled Carrier

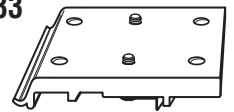
Mounting Clip - 93630

Must be attached to underside of each bracket for Rod Installation.

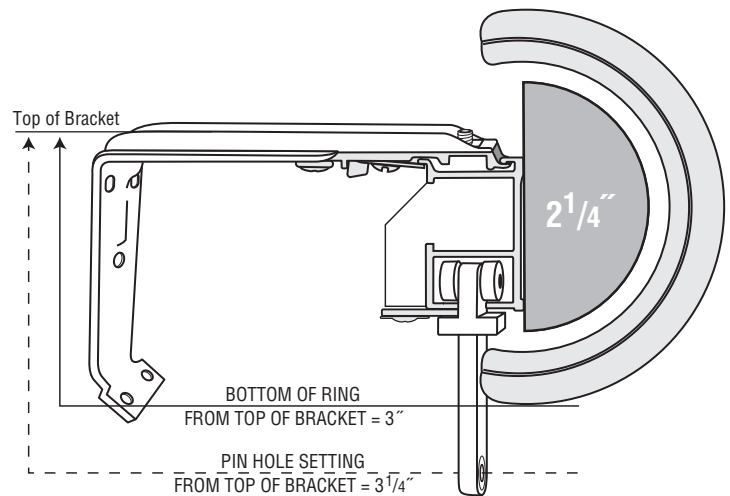
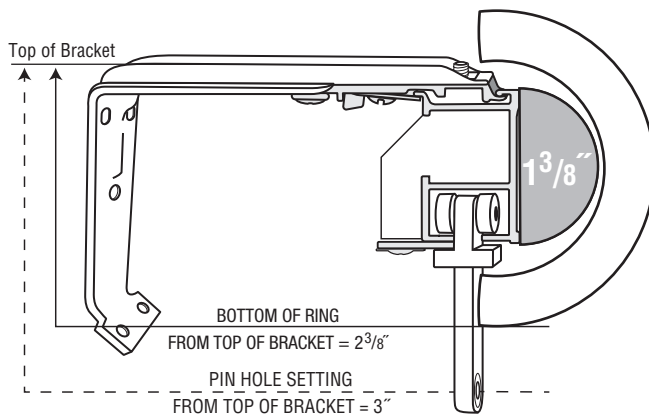


Track Splice - 93633

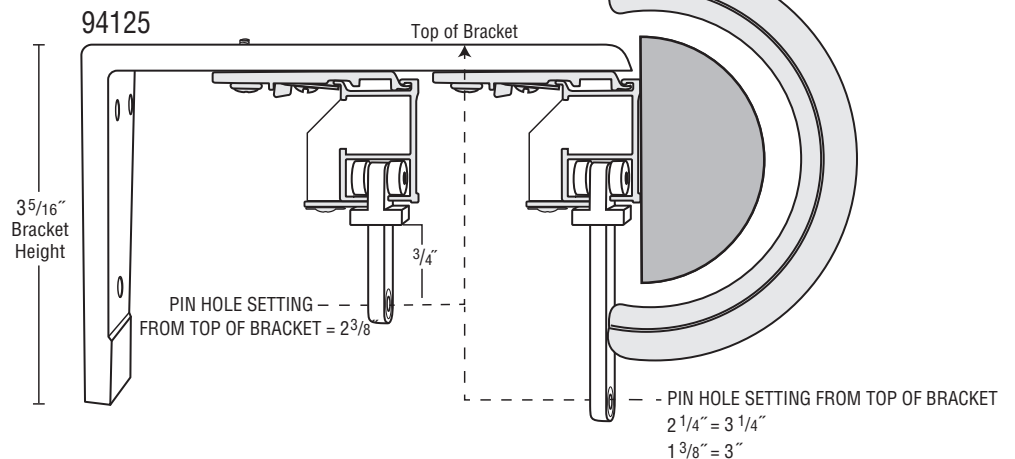
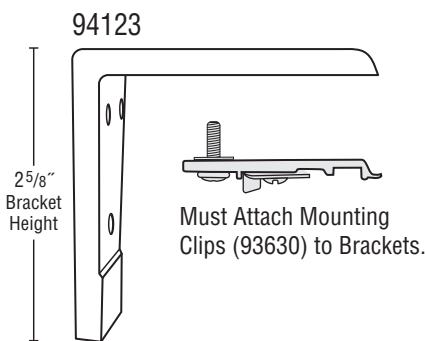
Use when 2 tracks are to be spliced together.



Standard Single Wall End Bracket



Heavy Duty Single (94123) & Heavy Duty Double (94125) Wall Bracket





Select Wood Traverse Rods with Rings - 1 3/8" and 2 1/4"

Installation Instructions

1. Install Brackets

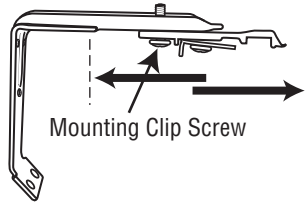
- Determine placement of end brackets based upon rod length.
- Determine height (distance from floor) of brackets based on length of draperies, floor clearance required and bracket design.

Attach Wall End Brackets

- Fasten brackets securely to mounting surface.
Installer must furnish the proper fasteners based on type/material of mounting surface.
- If included, evenly space additional brackets between end brackets. All brackets must be level for rod installation.

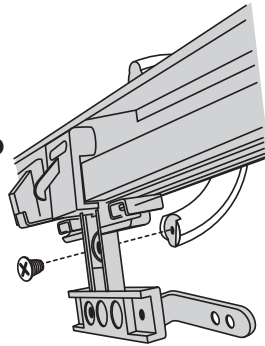
Adjust Bracket Projections

- Loosen Mounting Clip screw and slide Mounting Clip forward or back as needed to achieve desired projection.
- Make sure that all bracket projections are the same.
- Tighten all Mounting Clip screws.



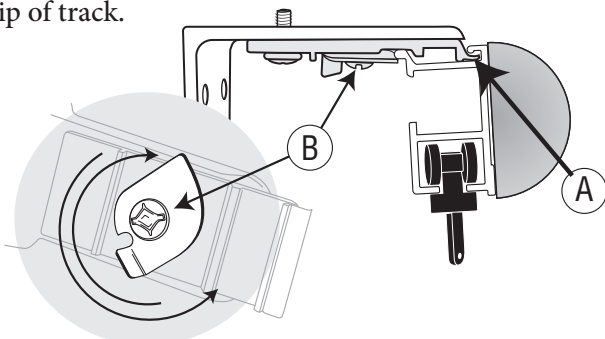
2. Attach Master Ring(s) to Traverse Rod Master(s)

- Attach ring to Traverse Master before mounting Traverse Rod onto brackets.



3. Attach Rod to Brackets

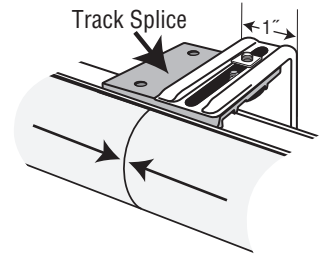
- Inserting mounting clip into front lip of Track at "A".
- Pivot the back of track up to allow cam lock "B" to rotate and tightened to catch the back lip of track.



- Standard, heavy duty, ceiling mount and double mount installations use the same mounting clip (93630) and rods attach the same way.

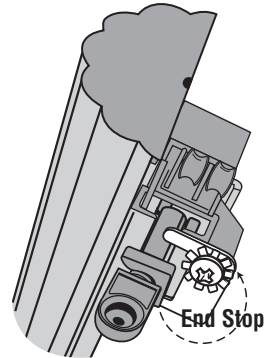
Track Splice

- When 2 tracks are to be spliced together use Track Splice (93633).



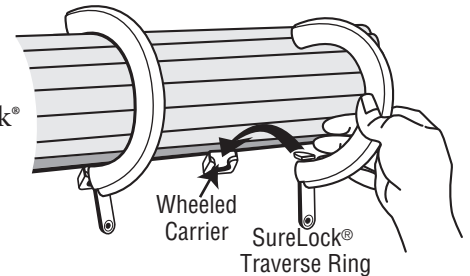
4. Remove Any Extra Unneeded Carriers

- Before hanging drapery count the number of wheeled carriers your drapery will require. If there are more carriers than needed they should be removed.
 - Looking at the bottom of the drapery rod, loosen End Stop screw so that End Stop can swing to release wheeled carriers.
 - Remove any extra carriers and capture end most carrier with End Stop to lock remaining carriers within track. Tighten End Stop Screw to lock carriers in track.



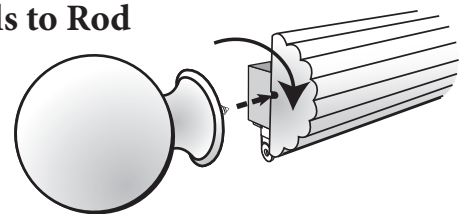
5. Attach Rings To Rod

- Snap one SureLock® Ring onto each wheeled carrier of track.



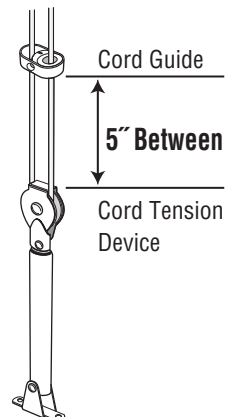
6. Attach Finials to Rod

- Screw finial into hole fabricated between fascia and metal track.



7. Install Cord Safety Device & Tension Pulley

- For child and pet safety, install safety devices provided.
- If cord safety devices are not installed traverse rod will not function properly.



8. Hang Draperies Onto Rods

- It is best to start from Traverse Rod Master and work toward end brackets.